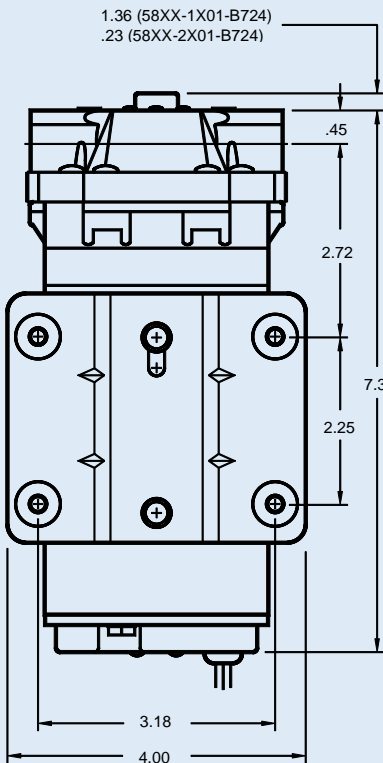
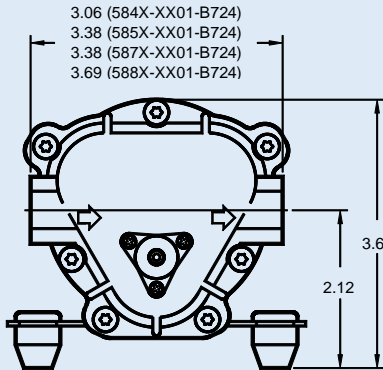


Series 5800 Pump

Model: 58XX-XX01-B724

Flow Range: Open Flow = .64 - 1.12 GPM

At 130 PSI = .24 - .66



WEIGHT: 6 lbs.

Completing the Part Number:

58XX-XX01-B724

Steel Mounting Plate (Other Types Available)

Desired Shut-off Pressure and Code

0 = None D = 50 PSI H = 90 PSI L = 130 PSI

A = 30 PSI E = 60 PSI I = 100 PSI

B = 40 PSI F = 70 PSI J = 110 PSI

C = 45 PSI G = 80 PSI K = 120 PSI

See Performance Data for Recommended By-pass Pressure and Code

Pressure Control Options

0 = No Control (Waiver Required)

1 = Pressure Switch Control (Select Desired Shut off Pressure)

2 = Pressure Relief Valve (Select Recommended By-Pass Pressure)

Select Pumphead Model from Performance Data Chart

Porting Options

4 = Push-to-Connect Ports for 1/4" Tubing

5 = Push-to-Connect Ports for 3/8" Tubing

7 = Push-to-Connect Ports for 5/16" Tubing

8 = 3/8" Female NPT Ports

Specifications:

MOTOR:

TYPE:

24 VDC, Permanent Magnet,
 Totally Enclosed, Non-Ventilated

LEADS:

14 AWG, 12" Long

TEMP. LIMITS:

For User Safety, Optimal Performance, and Maximum Motor Life, This Motor is Equipped with a Thermal Protector that Limits the Motor Shell Temperature to 145°F (63°C), as Shown on the Heat Rise Graph

DUTY CYCLE:

See Heat Rise Graph

PUMP DESIGN:

3 Chamber Diaphragm Pump, Self-Priming, Capable of Being Run Dry

TYPICAL APPLICATION:

Industrial Grade Water Transfer

MATERIALS:

HOUSING:

Nylon

VALVES:

EPDM

DIAPHRAGM:

Santoprene

FASTENERS:

Stainless Steel, Zinc Plated Carbon Steel

LIQUID TEMPERATURE:

170°F (77°C) Max.

PRIMING CAPABILITIES:

	58X0	58X1	58X2	58X3	58X4
PRIME (FT)	5	6	7	10	11



Aquatec International
 17422 Pullman
 Irvine, CA 92614
 Sales: 949-225-2200
 www.aquatec.com

DOCUMENT: DS58XX-XX01-B724
 REVISION: A
 ECO: 6898
 DATE: 5/26/16

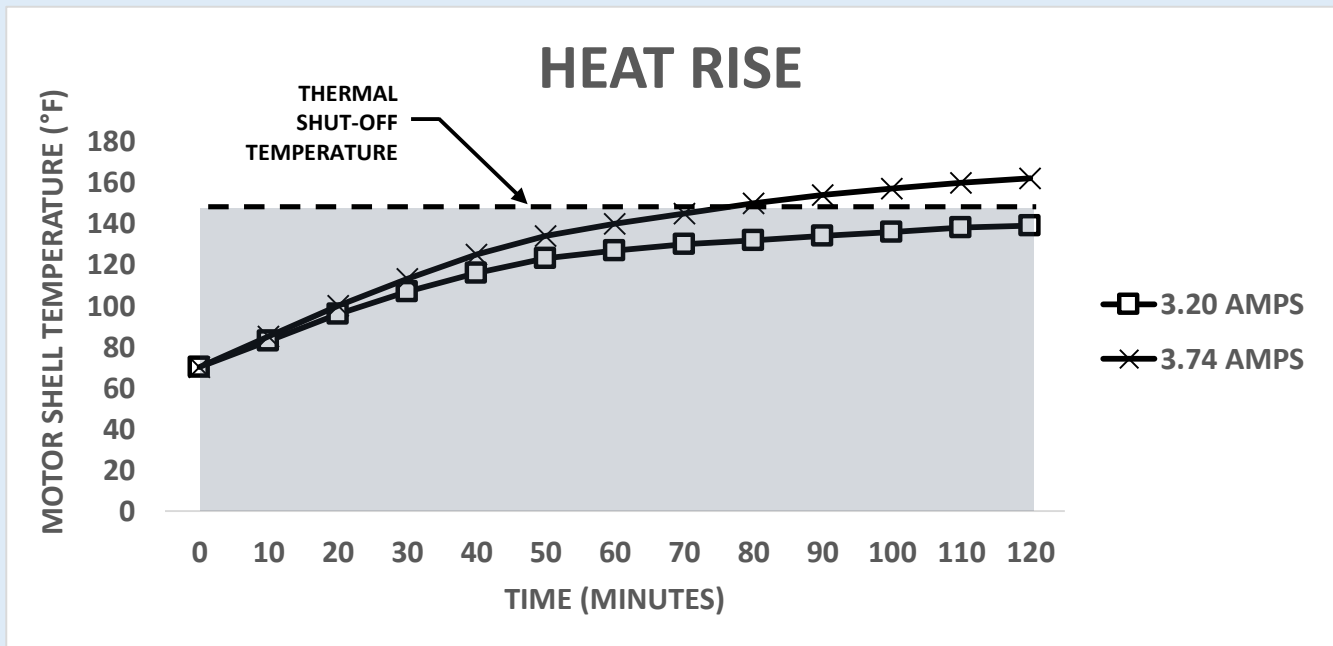
Series 5800 Pump

Model: 58XX-XX01-B724

PERFORMANCE DATA												
DISCHARGE PRESSURE	PUMP HEAD MODEL										RECOMMENDED BYPASS PRESSURE	
	58X0		58X1		58X2		58X3		58X4		PSI	CODE
PSI	FLOW (GPM)	CURRENT (AMPS)	FLOW (GPM)	CURRENT (AMPS)	FLOW (GPM)	CURRENT (AMPS)	FLOW (GPM)	CURRENT (AMPS)	FLOW (GPM)	CURRENT (AMPS)	PSI	CODE
130	0.24	1.62	0.32	2.02	0.47	2.72	0.57	3.13	0.66	3.74	160	P
120	0.25	1.57	0.34	1.94	0.48	2.60	0.58	2.95	0.68	3.53	150	N
110	0.26	1.52	0.35	1.85	0.50	2.43	0.60	2.80	0.71	3.33	140	M
100	0.28	1.45	0.36	1.76	0.52	2.30	0.62	2.65	0.74	3.15	130	L
90	0.29	1.39	0.37	1.67	0.53	2.16	0.64	2.50	0.76	2.93	120	K
80	0.30	1.33	0.38	1.59	0.54	2.02	0.65	3.34	0.78	2.72	110	J
70	0.32	1.25	0.40	1.50	0.56	1.87	0.66	2.06	0.80	2.52	100	I
60	0.34	1.18	0.42	1.42	0.59	1.74	0.67	2.02	0.81	2.32	90	H
50	0.38	1.11	0.51	1.31	0.63	1.61	0.71	1.88	0.83	2.13	80	G
40	0.47	1.00	0.61	1.17	0.69	1.43	0.83	1.68	0.91	1.93	70	F
30	0.52	0.89	0.64	1.03	0.78	1.25	0.89	1.45	1.00	1.70	60	E
20	0.56	0.76	0.66	0.87	0.81	1.03	0.92	1.21	1.05	1.42	50	D
10	0.59	0.62	0.69	0.72	0.83	0.84	0.97	0.98	1.08	1.19	40	B
OPEN	0.64	0.45	0.75	0.48	0.87	0.61	1.00	0.73	1.12	0.89	30	A

Performance measured with flooded inlet (0 PSI), 70°F (21°C) ambient and water temperature, and voltage controlled at 24 VDC. Positive inlet pressure will increase the discharge pressure by a similar amount for a given flow. Maximum inlet pressure is 60 PSI.

Shaded area denotes continuous operation capability at designated pressure and current.



The Shaded area in the charts above indicate performance points where pumps are capable of running without periodic cool down based on current draw. Pumps in the unshaded areas require periodic shut down for motor cooling. Some applications require maximum flows at high pressures for relatively short periods, so an explanation of thermal protection follows:

1. The Heat Rise graph plots the highest current that can run without ever leaving the shaded area, in this case, 3.2 amps. All pumps with lower operating currents may also run continuously, unless the surrounding temperature exceeds 70°F (21°C).
2. The other curve shown is the highest flow and pressure model offered, the 58X4. At 130 PSI, this pump will flow .66 GPM, drawing 3.75 amps.
3. The motor driving all of these pump models has a built in thermal protector that will open, shutting off the pump, when the surface temperature of the motor heats to approximately 145°F. After the initial room temperature heat rise as shown, the model 58X4 reaches the shut off temperature after about 30 minutes of run time, pumping about 20 gallons at 130 PSI.
4. Motors of this size and construction require 20 to 40 minutes of cooling time before the thermal protector closes and re-energizes the pump. Lower current levels heat more slowly, allowing longer run times, but the cool down time still averages about 30 minutes at 70°F ambient temperature.
5. Your application may call for short bursts of water, consuming far less than the 30 minutes of sustained operation. Start-up current exceeds normal running current, however, so cycling should be limited to 6 times per minute.

ALL PERFORMANCE AND HEAT RISE FIGURES ARE APPROXIMATE. ACTUAL VALUES WILL VARY WITH AMBIENT CONDITIONS.